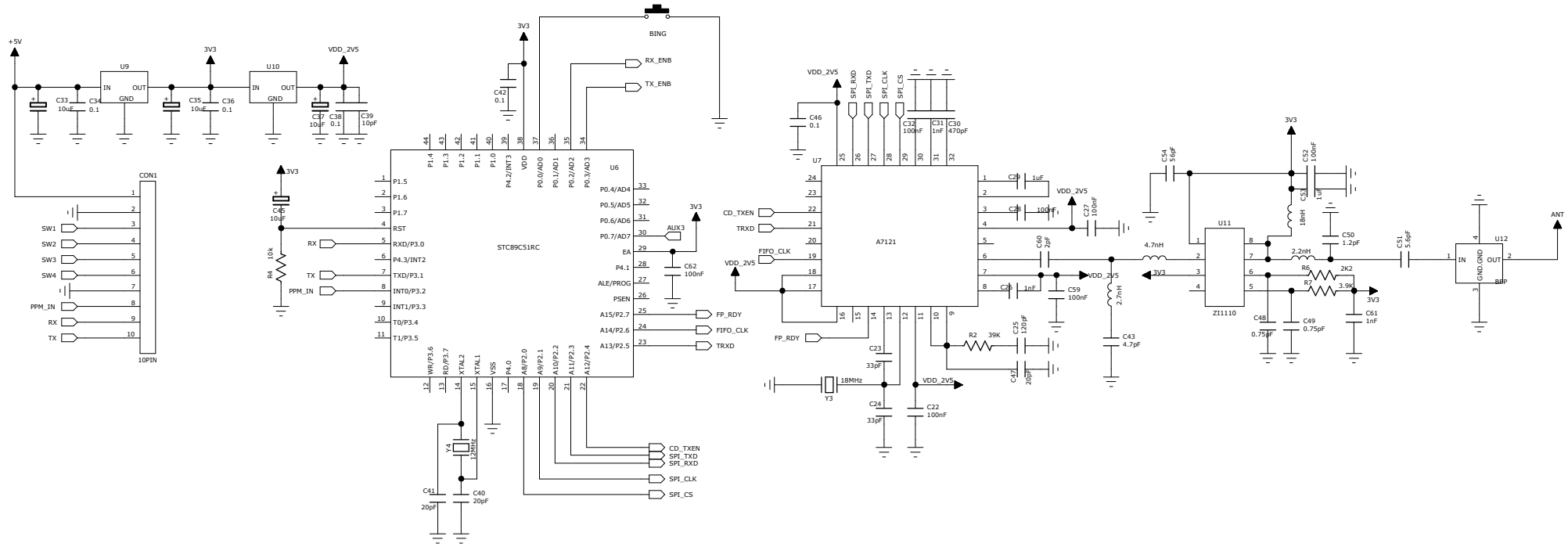


REVISION RECORD			
LTR	ECO NO:	APPROVED:	DATE:

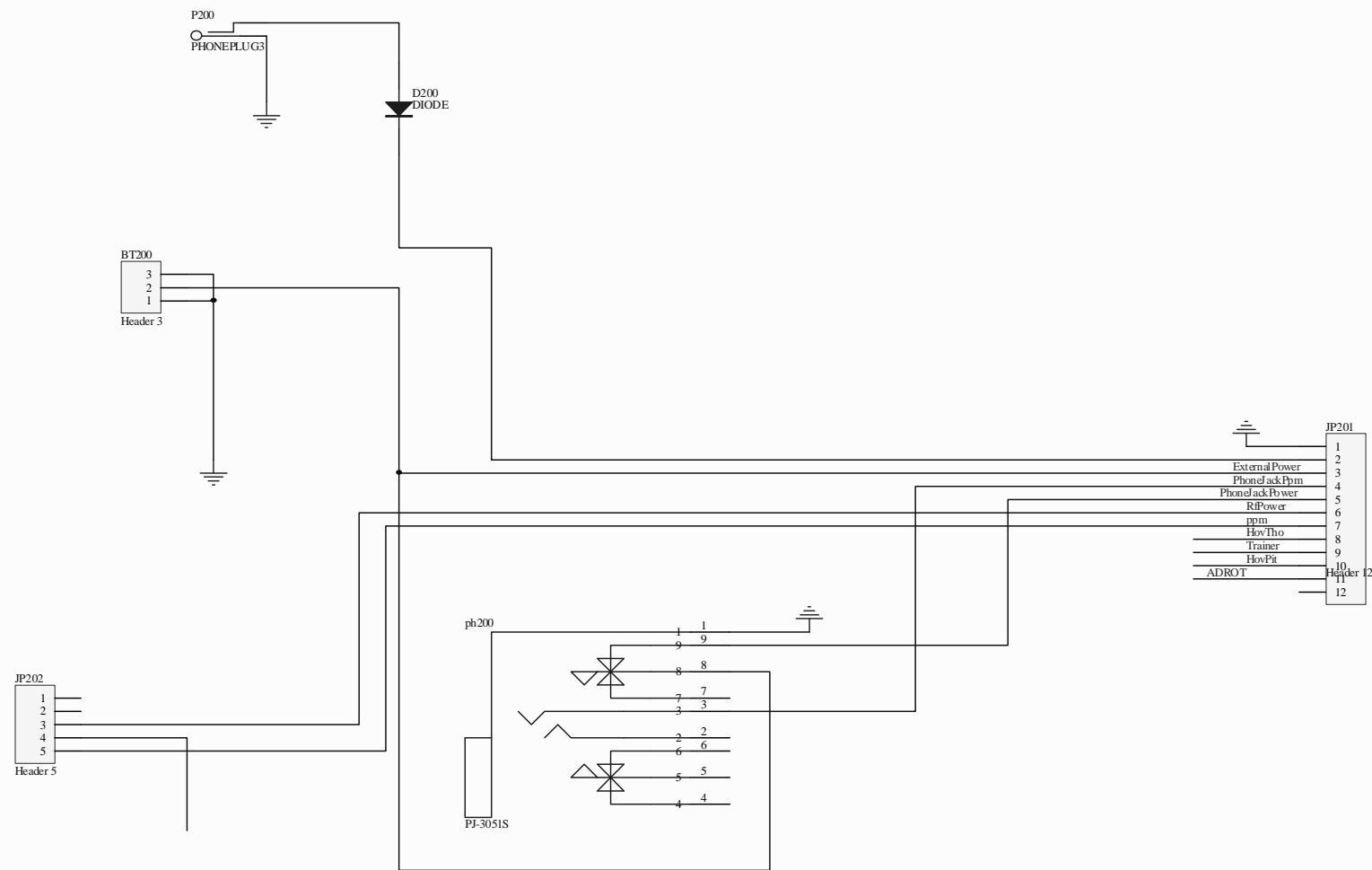


COMPANY: <Company Name>

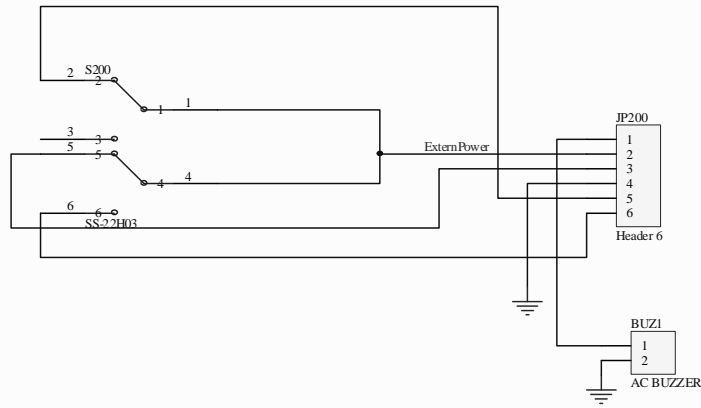
TITLE: <Title>

DRAWN: <Drawn By>	DATED: <Drawn Date>
CHECKED: <Checked By>	DATED: <Checked Date>
QUALITY CONTROL: <QC By>	DATED: <QC Date>
RELEASED: <Released By>	DATED: <Release Date>

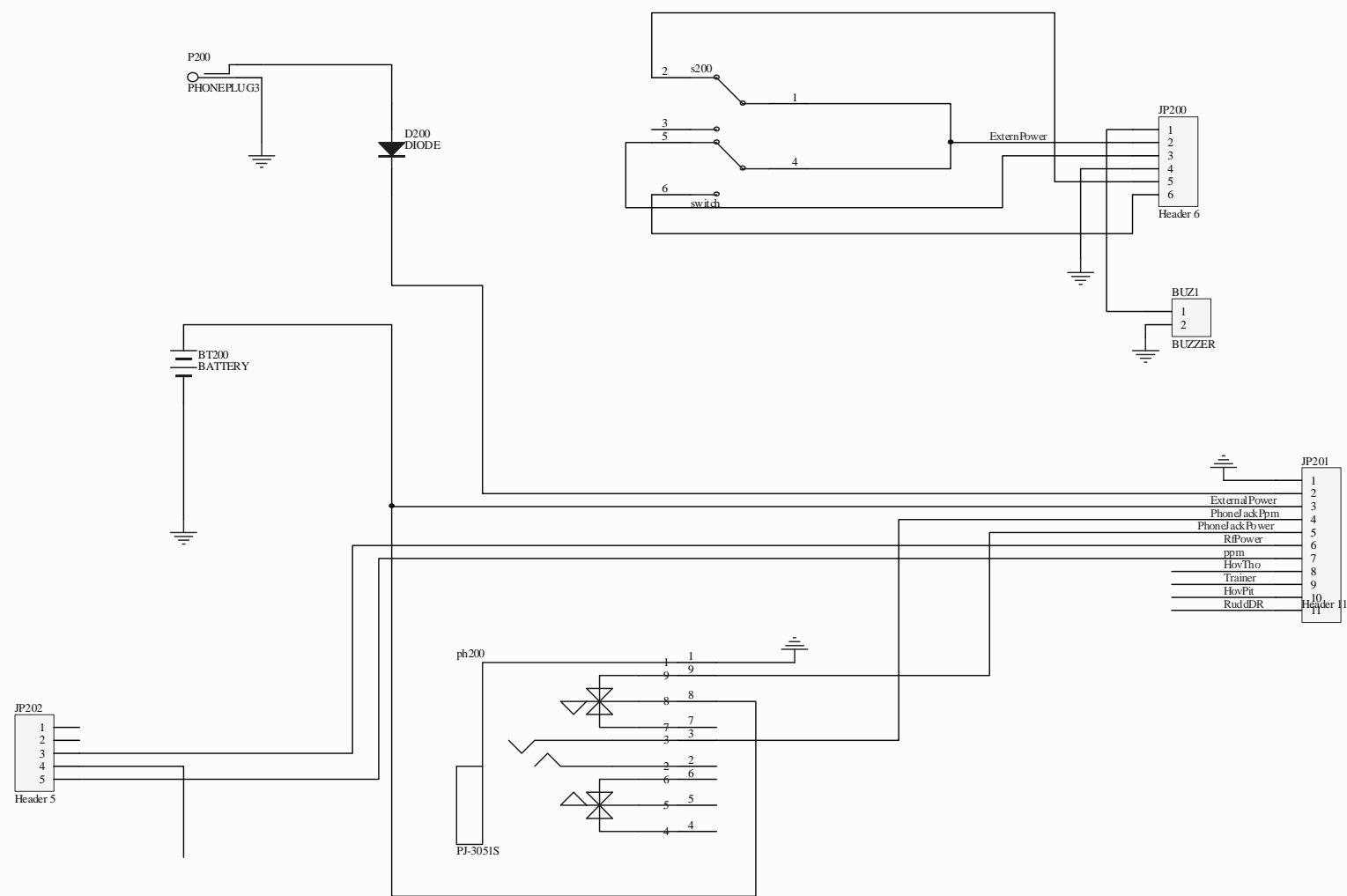
CODE:	SIZE:	DRAWING NO:	REV:
<Code>	A2	<Drawing Number>	<Revision>
SCALE: <Scale>		SHEET: 10f 1	



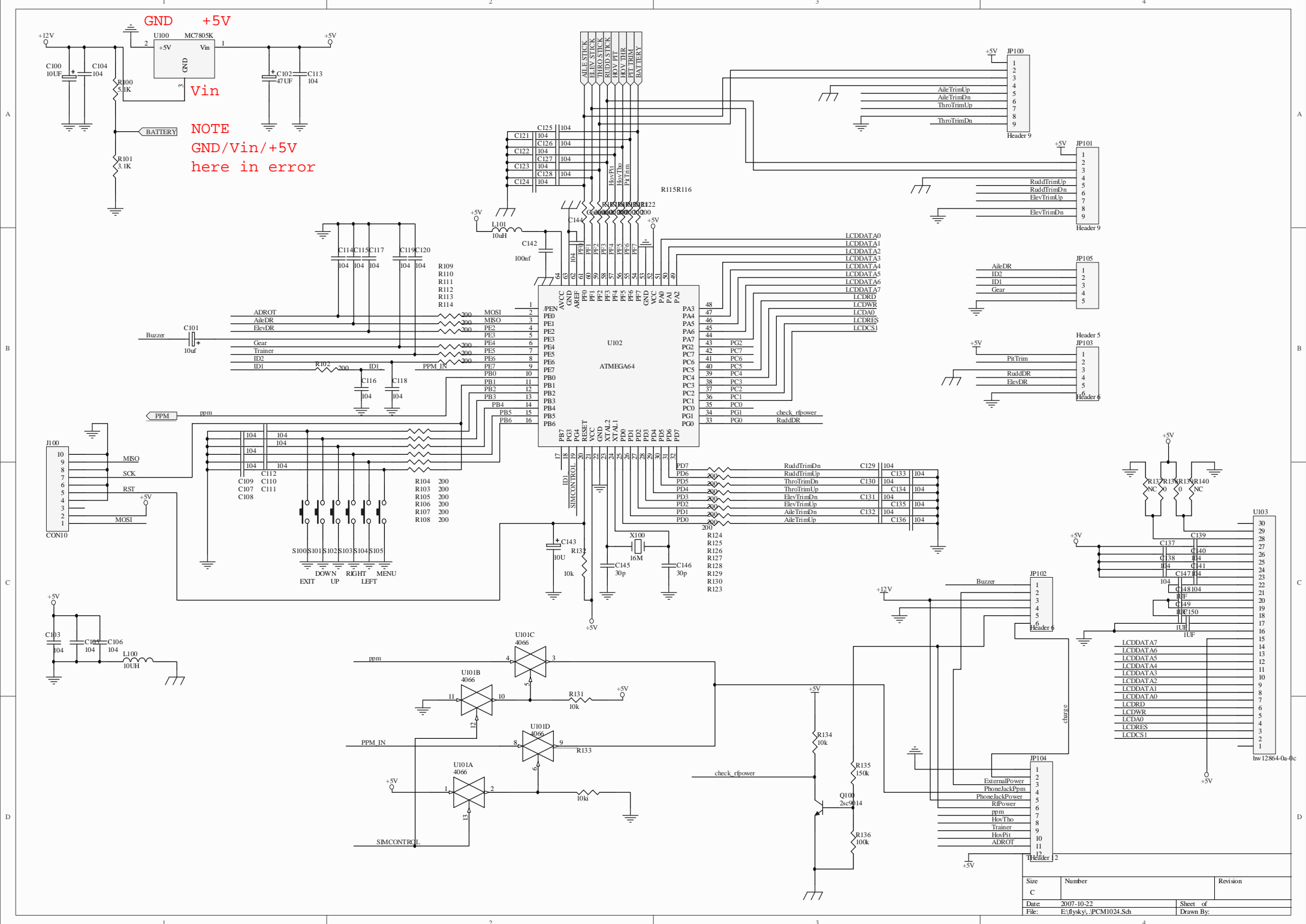
Title		
Size B	Number	Revision
Date: 2007-10-22	Sheet of	Drawn By:
File: E:\flysky\back.sch		



Title		
Size B	Number	Revision
Date: 2007-10-22	Sheet of	
File: E:\flysky_\front.sch	Drawn By:	

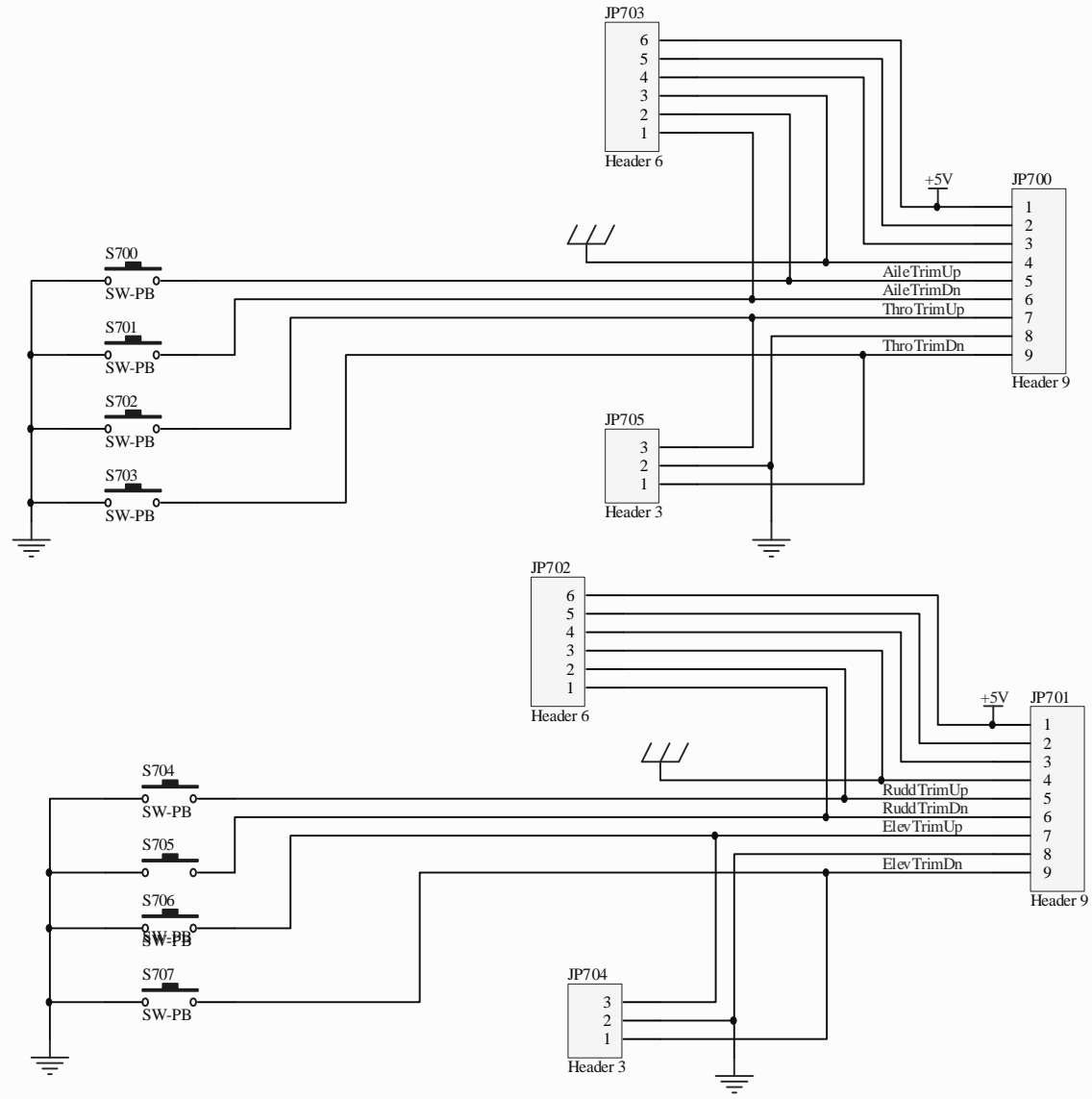


Title		
Size B	Number	Revision
Date: 2007-10-22	Sheet of	
File: E:\flysky\power.sch	Drawn By:	



NOTE
GND/Vin/+5V
here in error

Size	Number	Revision
C		
Date	2007-10-22	Sheet of
File	E:\fysk\y_v\PCMI024.Sch	Drawn By:



Title		
Size	Number	Revision
A4		
Date:	2007-10-22	Sheet of
File:	E:\fysky\...\TRIM.SCH	Drawn By: